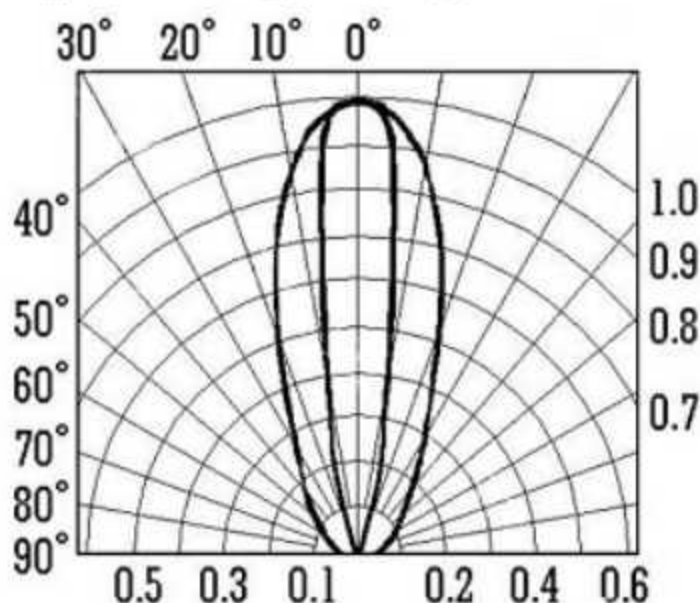
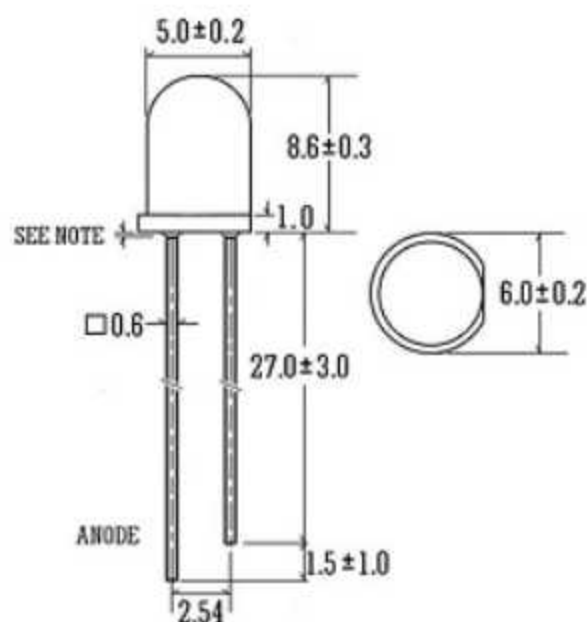


5mm 20000mcd Super Bright Light White



Color : White

Size (mm) : 5mm

Lens Color : Water Clear

Peak Wave Length (nm) : N/A

Forward Voltage (V) : 3.2 ~ 3.8

Reverse Current (uA) : ≤ 30

Luminous Intensity Typ Iv (mcd) : Average in 20000

Life Rating : 100,000 Hours

Viewing Angle : 20 ~ 25 Degree

Absolute Maximum Ratings ($T_a = 25^\circ\text{C}$)

Max Power Dissipation : 80mw

Max Continuous Forward Current : 30mA

Max Peak Forward Current : 75mA

Reverse Voltage : 5~6V

Lead Soldering Temperature : 240°C (<5Sec)

Operating Temperature Range : -25°C ~ $+85^\circ\text{C}$

Preservative Temperature Range : -30°C ~ $+100^\circ\text{C}$